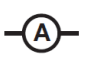





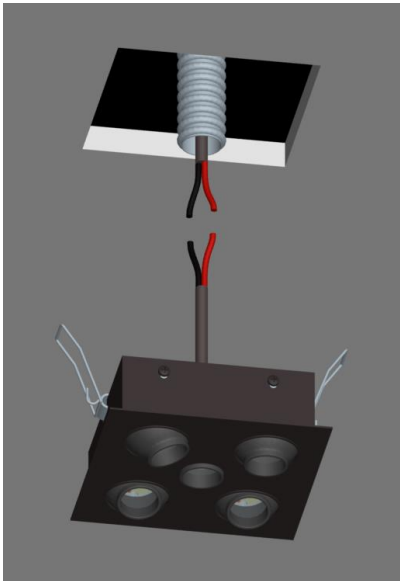
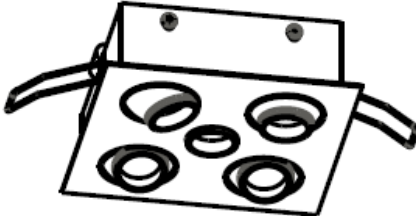

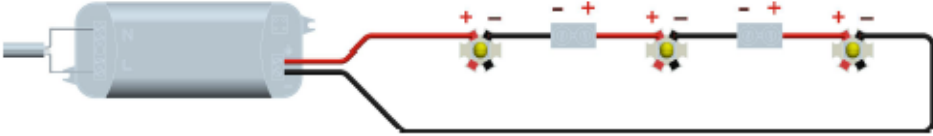



N° LED	W	Lm to the light source				R / V / B		
05	6	550	350mA	IP20	10° - 25° - 40°	-	-	2700K 3000K 4000K

Model	Description	Assembly	Dimensions 110 x 110 x 50mm
	<p>Recessed ceiling steel Led light body. Number 4 Led mounted on swivel heads in every 20° directions independently, plus 1 central Led light not directable.</p> <p>Finish: black varnished, other colors on request.</p> <p>It is provided with 25cm bipolar cable for the electrical connection.</p> <p>Indoor installation on any plane rigid surface.</p> <p>Fixing with torsion springs.</p>	 <p>Recess hole 100 x 100mm</p>	 <p>110x110x50</p>

<p>Series electrical connection 350mA SELV. POLARITY: RED cable + BLACK cable -</p>	<p>Connection: Connector compliant with EN 60998-2-1 standards</p> <p>(FACSIMILE)</p> 
	

ATTENTION: Before starting all electrical connections, make sure that the power supply is not powered. If this simply rule is not respected, the lighting source will be irretrievably damaged.

 <p>Compliant with European standards (EMC, RoHS, Ecodesign and requirements specified in the Low Voltage Directive (LVD))</p>	<p>CLASS III Operating with SELV</p>	<p>POWER SUPPLY By remote power supply SELV OUTPUT 350mA constant current</p>	 <p>Separate waste collection of electric and electronic equipment</p>	<p>Made in Italy Projected, manufactured and assembled in Italy</p>
---	---	--	---	--