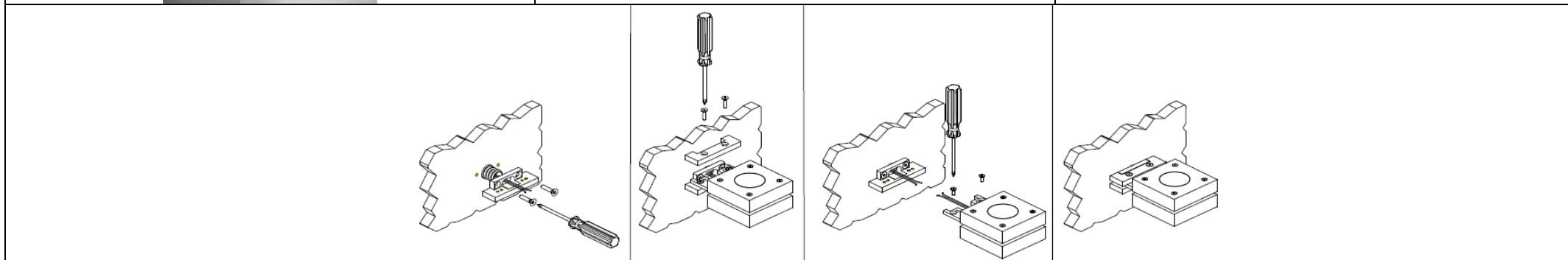




N° LED double emission	W	Lm to the light source				R / V / B		
↑03 ↓03	7.2	660	350mA/24V	IP55	DIFFUSE - 7° - 25° - 40°	-	-	2700K 3000K 4000K

Model	Description	Dimensions 100 x 152 x 56mm
	On-wall Led light body in aluminum. It is provided with 25cm bipolar cable for the electrical connection. Indoor/outdoor installation on any rigid surface. Fixing by two screws.	



<p><b>Series electrical connection 350mA SELV.</b> Polarity: <b>Red cable + Black cable -</b></p>	<p><b>Parallel electrical connection 12V / 24V.</b> Polarity: <b>Red cable + Black cable -</b></p>	<p><b>Connection:</b>connector compliant with EN 60998-2-1 standards (FACSIMILE)</p>

**ATTENTION:** Before starting all electrical connections, make sure that the power supply is not powered. If this simply rule is not respected, the lighting source will be irretrievably damaged.

<b>Compliant with European standards</b> (EMC, RoHS, Ecodesign and requirements specified in the Low Voltage Directive (LVD))	<b>CLASSE III</b> Operating with SELV	<b>POWER SUPPLY</b> By remote power supply SELV OUTPUT 350mA constant current / By remote power supply SELV OUTPUT 24V constant voltage	Separate waste collection of electric and electronic equipment	<b>Made in Italy</b> Projected, manufactured and assembled in Italy
--	--	---	--	--