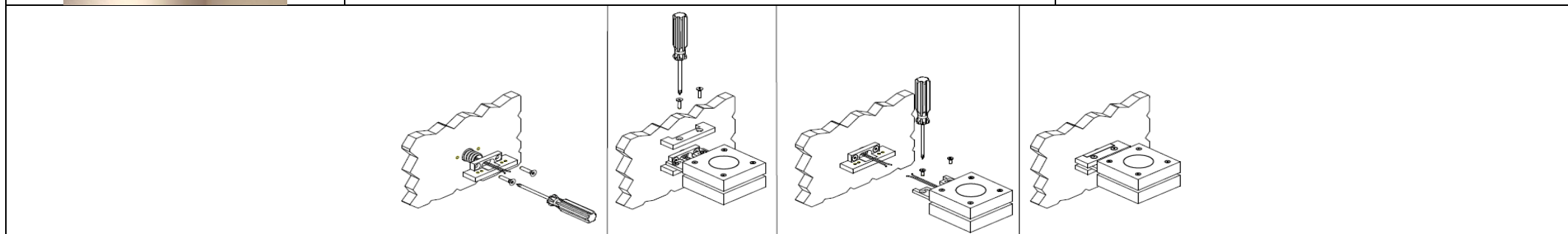




N° LED double emission	W	Lm to the light source				R / V / B		
↑03 ↓03	7.2	660	350mA/24V	IP55	DIFFUSE - 7° - 25° - 40°	-	-	2700K 3000K 4000K

Model	Description	Dimensions 110 x 145 x 60mm
	On-wall Led light body in aluminum. It is provided with 25cm bipolar cable for the electrical connection. Indoor/outdoor installation on any rigid surface. Fixing by two screws.	



<p>Series electrical connection 350mA SELV. Polarity: Red cable + Black cable -</p>	<p>Parallel electrical connection 12V / 24V. Polarity: Red cable + Black cable -</p>	<p>Connection:connector compliant with EN 60998-2-1 standards (FACSIMILE)</p>

ATTENTION: Before starting all electrical connections, make sure that the power supply is not powered. If this simple rule is not respected, the lighting source will be irretrievably damaged.

Compliant with European standards (EMC, RoHS, Ecodesign and requirements specified in the Low Voltage Directive (LVD))	CLASSE III Operating with SELV	POWER SUPPLY By remote power supply SELV OUTPUT 350mA constant current/ By remote power supply SELV OUTPUT 24V constant voltage	Separate waste collection of electric and electronic equipment	Made in Italy Projected, manufactured and assembled in Italy
--	--	--	--	--