



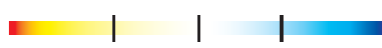

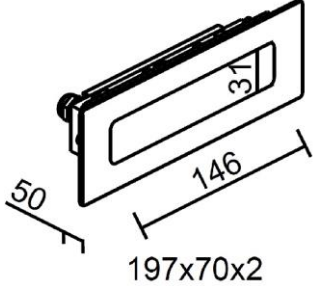
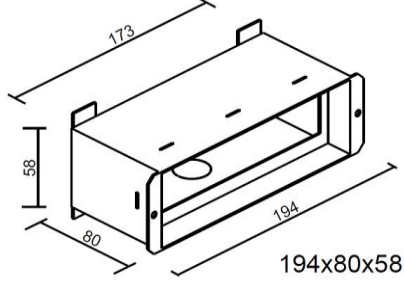
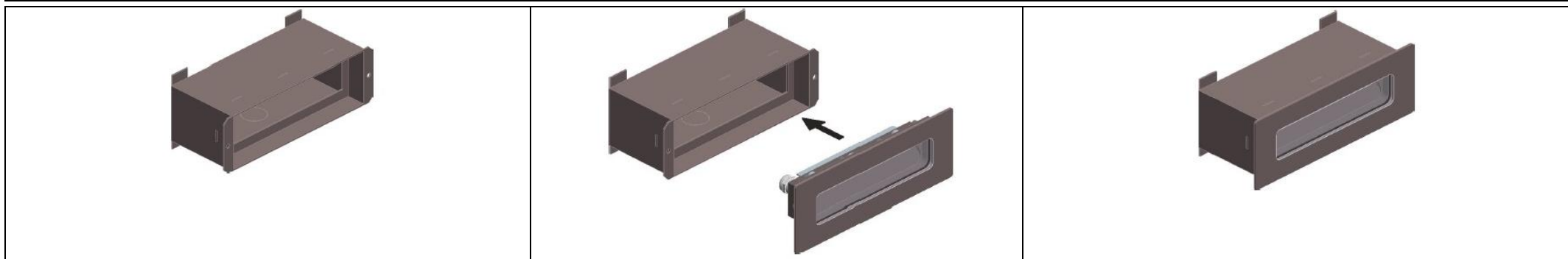
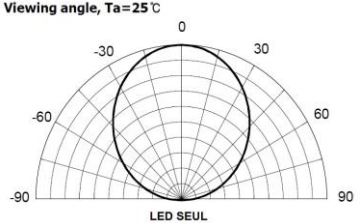





N° LED	W	Lm to the light source				R / V / B		
12	5	355	24V	IP65	DIFFUSE	-	-	2700K 3000K 4000K

Model	Description	Dimensions 197x70x2mm	Fixing formwork 194x80x58mm
	<p>Wall recessed Led light body in aluminum.</p> <p>It is provided with 25cm bipolar cable for the electrical connection.</p> <p>Outdoor installation on any rigid surface with specific formwork.</p> <p>Fixing with "spring ball" system.</p> <p>FINISH: GREY ANODIZED ALUMINUM - CUSTOMIZED RAL VARNISHED</p> <p>SCREEN: OPAL POLYCARBONATE</p>		



<p><b>Parallel electrical connection 12V / 24V.</b></p> <p><b>Polarity: Red cable + Black cable -</b></p>	<p><b>Polar Diagram</b></p> <p>Viewing angle, Ta=25°C</p> 	<p><b>Connection to be made in a watertight place:</b></p> <p>connector compliant with EN 60998-2-1 standards</p> <p>(FACSIMILE)</p>  <p>IP68 connector for example Steab Paguro 5664 or similar</p>
---	---	---

**ATTENTION:** Before starting all electrical connections, make sure that the power supply is not powered. If this simply rule is not respected, the lighting source will be irretrievably damaged.

 <p><b>Compliant with European standards</b> (EMC, RoHS, Ecodesign and requirements specified in the Low Voltage Directive (LVD))</p>	<p><b>CLASSE III</b> Operating with SELV</p>	<p><b>POWER SUPPLY</b> By remote power supply SELV OUTPUT 24V constant voltage</p>	 <p>Separate waste collection of electric and electronic equipment</p>	<p><b>Made in Italy</b> Projected, manufactured and assembled in Italy</p>
---	--	--	---	--