





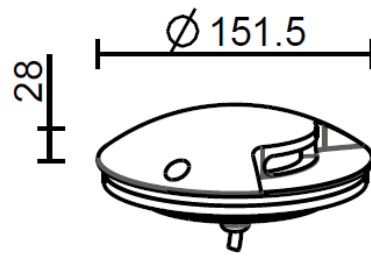
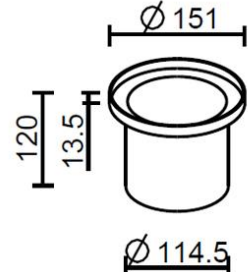
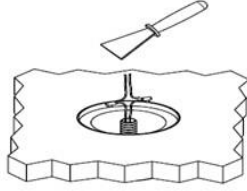
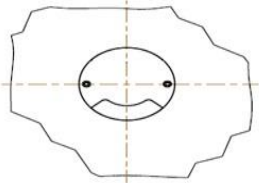
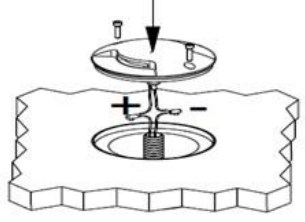
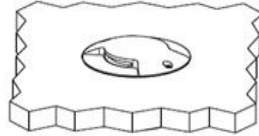

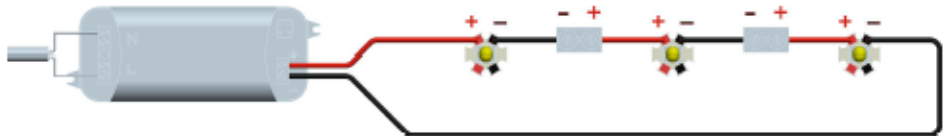


N° LED	W	Lm to the light source				R / V / B		
02	2.4	220	350mA	IP65	DIFFUSE	-	-	2700K 3000K 4000K

Model	Description	Dimensions Ø151.5 x 28 mm	Fixing formwork Ø151x120mm
	<p>Recessed floor Led light body in aluminum, driveway/walkway, oblique lighting, single emission. It is provided with 50cm neoprene bipolar cable for the electrical connection.</p> <p>Outdoor floor installation by specific formwork.</p> <p>Fixing by two screws, depth dimension 120mm.</p> <p>FINISH: HARD GREY ANODIZED ALUMINUM</p> <p>SCREEN: OPLA POLYCARBONATE</p>		
			
Floor wire formwork	The fixing holes must be made perpendicular to the light emission	Watertight electrical connection IP68	Final result

<p>Series electrical connection 350mA SELV. Polarity: Red cable + Black cable -</p>	<p>Connection to be made in a watertight place: connector compliant with EN 60998-2-1 standards</p> <p>(FACSIMILE)</p>  <p>IP68 connector for example Steab Paguro 5664 or similar</p>
	

ATTENTION: Before starting all electrical connections, make sure that the power supply is not powered. If this simply rule is not respected, the lighting source will be irretrievably damaged.

 Compliant with European standards (EMC, RoHS, Ecodesign and requirements specified in the Low Voltage Directive (LVD))	CLASSE III Operating with SELV	POWER SUPPLY By remote power supply SELV OUTPUT 350mA constant current	 Separate waste collection of electric and electronic equipment	Made in Italy Projected, manufactured and assembled in Italy
---	--	--	--	--