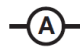








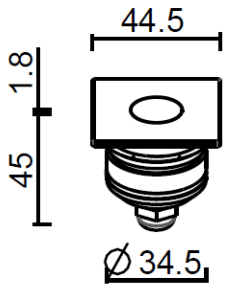
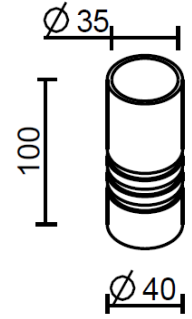
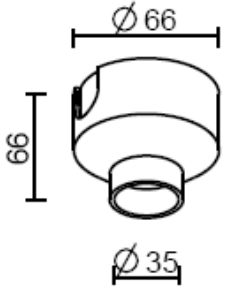
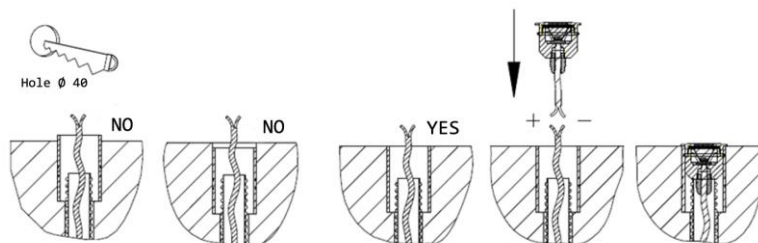
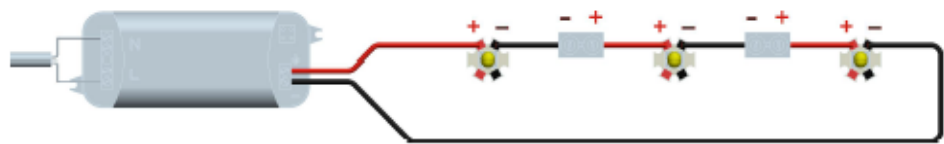





N° LED	W	Lm to the light source				R / V / B		
01	1.2	110	350mA	IP65	DIFFUSE - 7° - 25° - 40°	  	-	2700K 3000K 4000K

Model	Description	Dimensions 44,5 x 44,5 x 50mm	Formwork for fixing: inner Ø35mm, exterior Ø40mm x 100mm	Fixing hole on wall Ø66 x 66mm
	Recessed floor Led light body in aluminum and stainless steel. Finish: stainless steel in view, screen: transparent polycarbonate. It is provided with 50cm neoprene cable for the electrical connection. Indoor/outdoor installation on the floor with specific formwork. Pressure fixing with compression springs and OR, depth dimension 100mm.			



<b>Series electrical connection 350mA SELV.</b>	<b>Polarity: Red cable + Black cable -</b>	<b>IP68 connector for example Steab Paguro 5664 or similar.</b> <b>Connector compliant with EN 60998-2-1 standards</b>
		 Connection to be made in a watertight place

**ATTENTION:** Before starting all electrical connections, make sure that the power supply is not powered. If this simply rule is not respected, the lighting source will be irretrievably damaged.

 <b>Compliant with European standards</b> (EMC, RoHS, Ecodesign and requirements specified in the Low Voltage Directive (LVD))	<b>CLASS III</b> Operating with SELV	<b>POWER SUPPLY</b> By remote power supply SELV OUTPUT 350mA constant current	 Separate waste collection of electric and electronic equipment	<b>Made in Italy</b> Projected, manufactured and assembled in Italy
---	---	--	--	--