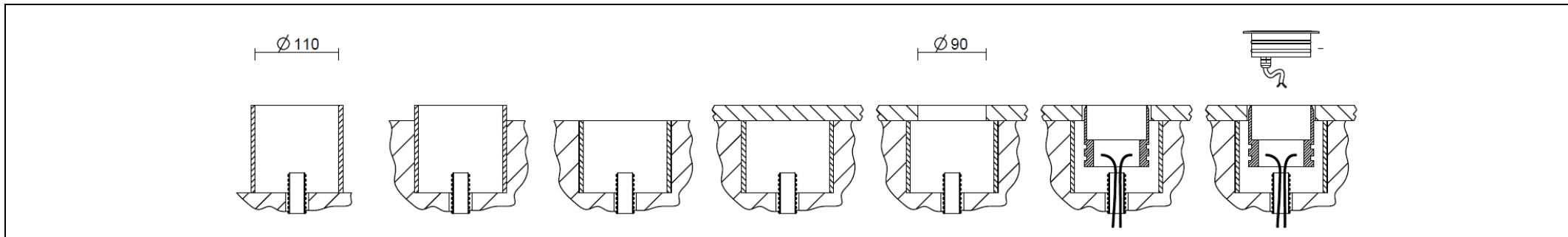


N° LED	W	Lm to the light source				R / V / B					
03	3.6	330	350mA / 12V RGB / 24V	IP65	DIFFUSE - 7° - 25° - 40°	-	RGB	2700K	3000K	4000K	
07	8.5	770	350mA / 24V	IP65	DIFFUSE - 7° - 25° - 40°	-	-	2700K	3000K	4000K	

Model	Description	Dimensions Ø99 x 50 mm	Formwork for fixing Ø80 x 78.8mm
	Recessed floor Led light body in aluminum and stainless steel. It is provided with 50cm neoprene cable for the electrical connection. Indoor/outdoor installation on the floor with specific formwork. Pressure fixing with OR, depth dimension 100mm		



Series electrical connection 350mA SELV. Polarity: Red cable + Black cable -	Parallel electrical connection 12V / 24V. Polarity: Red cable + Black cable -	Connection to be made in a watertight place: connector compliant with EN 60998-2-1 standards (FACSIMILE)
IP68 connector for example Steab Paguro 5664 or similar		

ATTENTION: Before starting all electrical connections, make sure that the power supply is not powered. If this simply rule is not respected, the lighting source will be irretrievably damaged.

Compliant with European standards (EMC, RoHS, Ecodesign and requirements specified in the Low Voltage Directive (LVD))	CLASS III Operating with SELV	POWER SUPPLY By remote power supply SELV OUTPUT 350mA constant current / By remote power supply SELV OUTPUT 24V constant voltage	Separate waste collection of electric and electronic equipment	Made in Italy Projected, manufactured and assembled in Italy
--	---	---	--	--