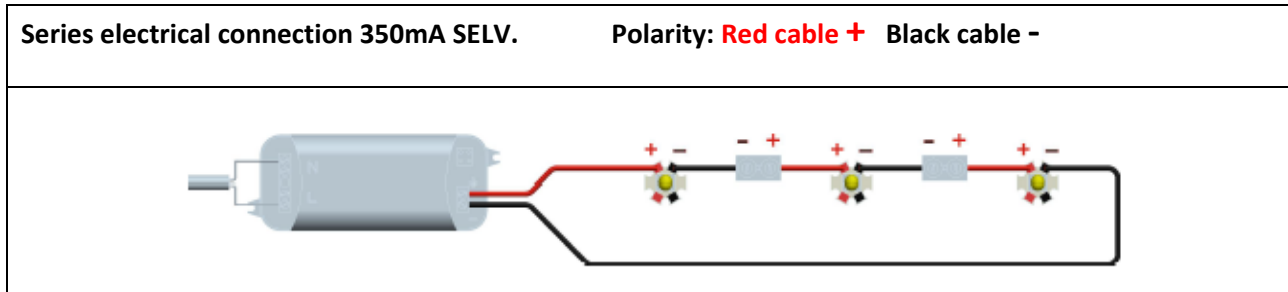
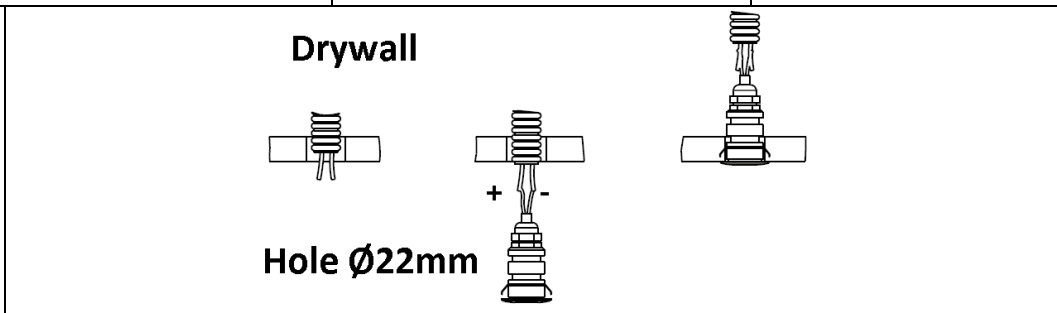
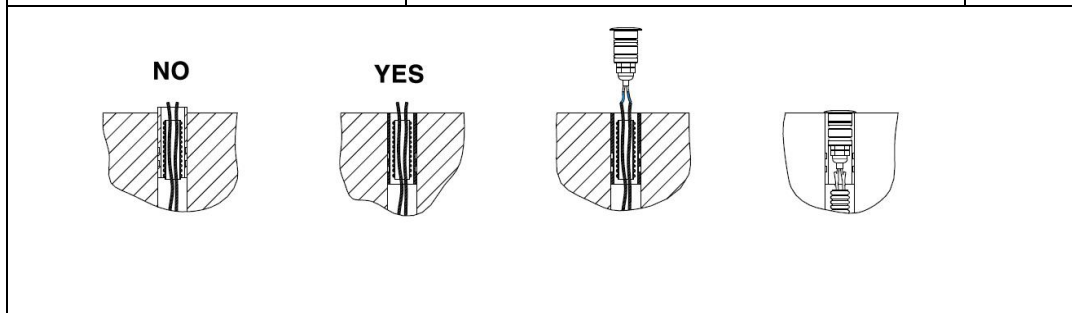




N° LED	W	Lm to the light source				R / V / B		
01	1.2	110	350mA	IP65	DIFFUSE	-	-	2750K 3000K 4000K 5000K

Model	Description	Dimensions for floor Ø27 x 46mm	Formwork for fixing Ø25 x 80mm	Dimensions ceiling Ø27 x 46mm
	<p>Recessed floor Led light body in stainless steel. It is provided with 50cm neoprene cable for the electrical connection. Indoor/outdoor installation on the floor with specific formwork. Pressure fixing with OR, depth dimension 60mm</p>			



**ATTENTION:** Before starting all electrical connections, make sure that the power supply is not powered. If this simply rule is not respected, the lighting source will be irretrievably damaged.

<b>Compliant with European standards</b> (EMC, RoHS, Ecodesign and requirements specified in the Low Voltage Directive (LVD))	<b>CLASS III</b> Operating with SELV	<b>POWER SUPPLY</b> By remote power supply SELV OUTPUT 350mA constant current	Separate waste collection of electric and electronic equipment	<b>Made in Italy</b> Projected, manufactured and assembled in Italy
--	---	--	--	--